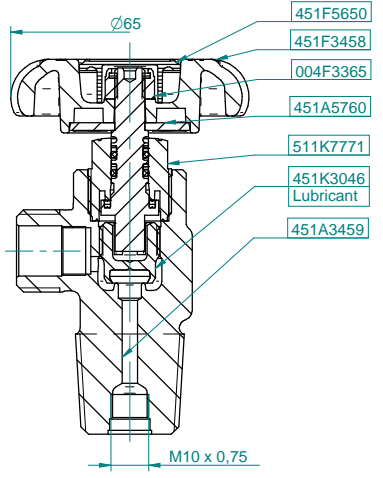
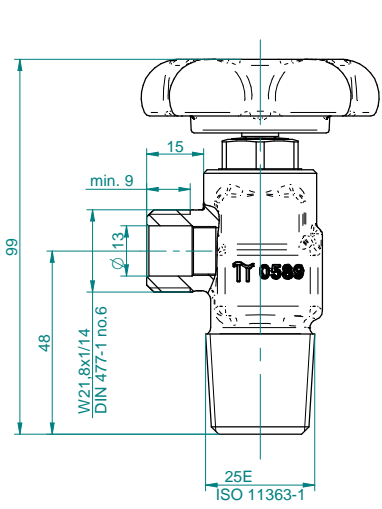


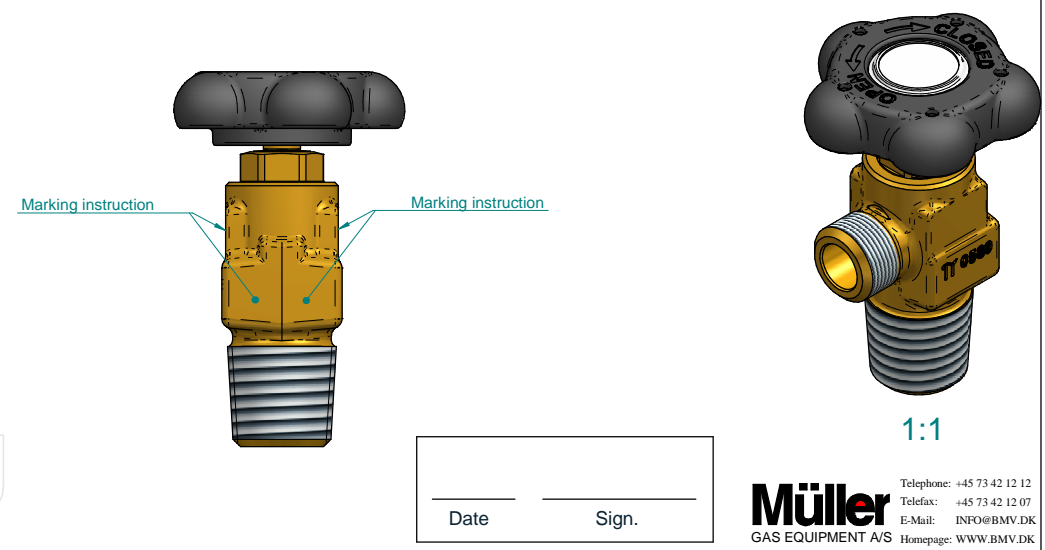
As this is the property of MÜLLER GAS EQUIPMENT A/S this must not be passed on to any person not authorized by MÜLLER GAS EQUIPMENT A/S or copied or otherwise utilized by anybody without MÜLLER GAS EQUIPMENT A/S expressed written permission.



MGE No.	Name of parts	Material
451F5650	Blind-plug	Polystyren RAL9010
004F3365	Self-locking nut	M8 DIN985 A2
451F3458	Handwheel black RAL 9017	Akulon K220-HGS 6 (PA6 GV30)
451A5760	Insert for handwheel	Sheet descaled steel galvanized yellow chromated
511K7771	Gland nut compl.	
511A7740	Gland nut	Brass EN12164 CW614N
451A7980	Spindle	Brass EN12164 CW614N
451F3811	Pressure ring	POM
006F3027	Back-up ring	POM
006F5047	O-ring	TX309
006F5014	O-ring	Silicone
451K3046	Inner spindle compl.	
430F5440	Packing	Dupont Zytel E103 HSL NC-010
451A3040	Inner spindle	Brass EN12164 CW614N
451A3459	Valve body	AS451A2130
451A2130	Brass-forging	Brass EN12165 CW617N-B

17.12.14 Rev.1

MGE Cylinder valve type 451 without residual pressure valve	
MGE valve code no:	451H0322 Gas: INERT
Working pressure:	200 bar at 15°C
Residual pressure valve:	-
Bursting pressure:	-
Surface treatment:	-
Lubricant:	Klüberalfa YV 93-1202
Passage:	ø4 mm
Marking instruc.:	(Date) YYYY/MM, DK, MÜLLER 25E, DIN 477-1 no.6, ISO V 451H0322 TY 0589, 80KG INERT



Date

Sign.